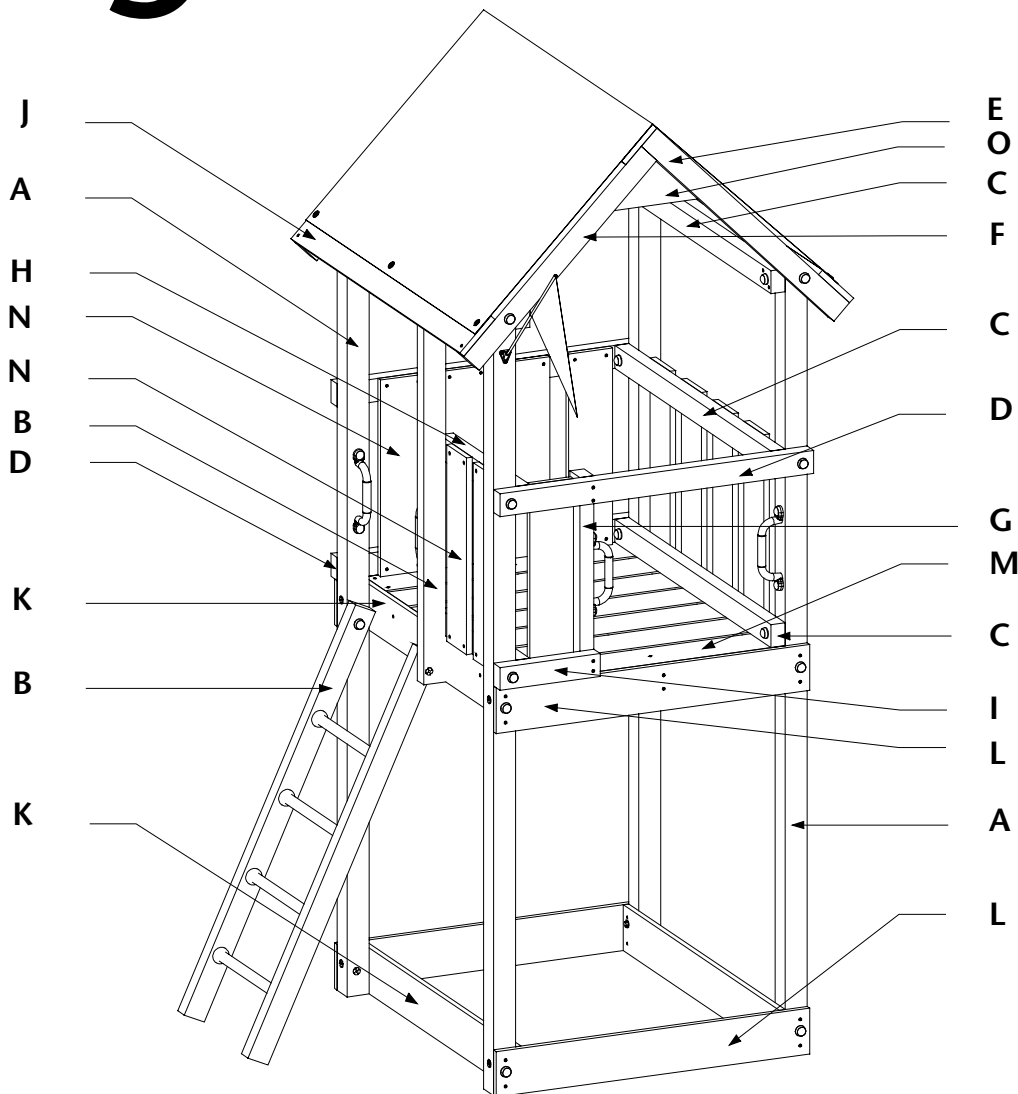


#401.120

Jungle Gym®



# Jungle Castle™



**EN** Assembly Instructions and Owners Manual

**D** Montage Anleitung und Gebrauchsanweisung

**F** Instructions d'Assemblage et Manuel

**NL** Montage-instructies en Handleiding

**DK** Byggevejledning og Brugsanvisning

**N** Monteringsanvisning

**S** Monteringsinstruktioner

**SF** Kokoamisohjeet

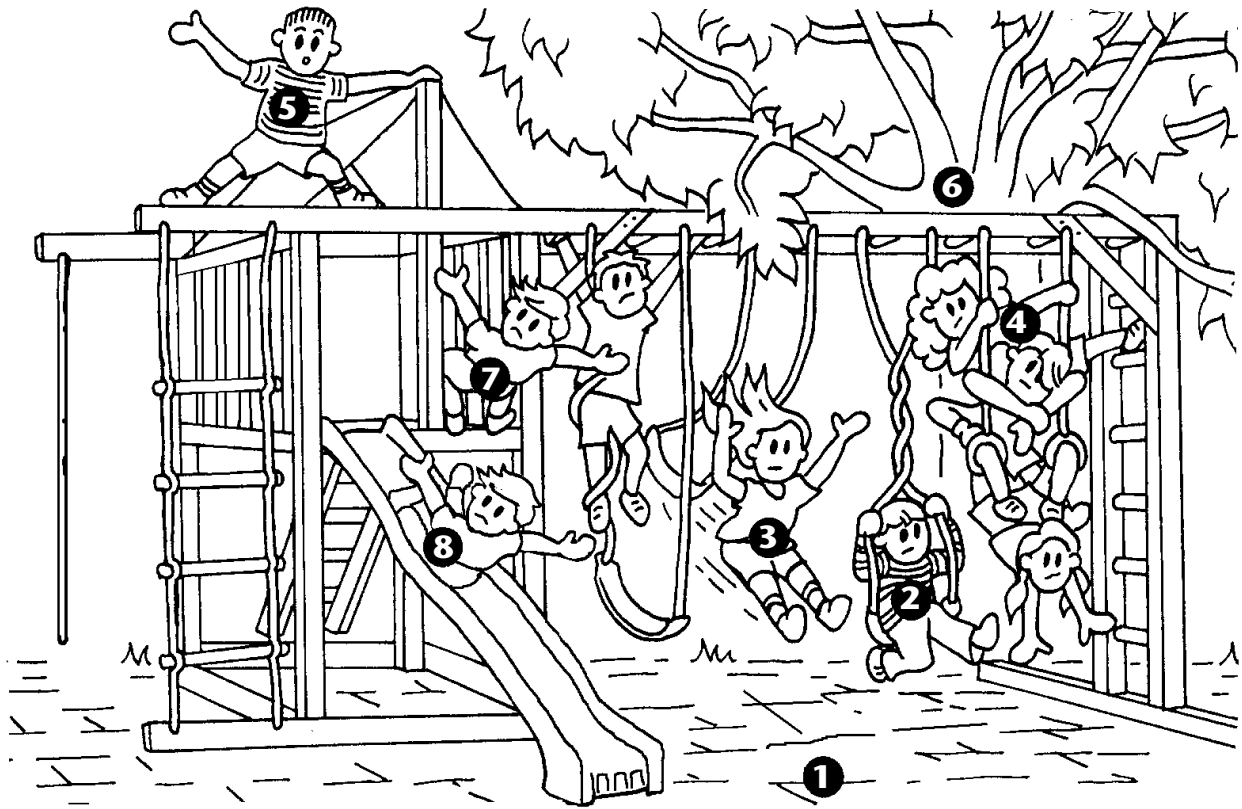
**P** Manual de instalação e montagem

**E** Instrucciones de montaje y manual del propietario

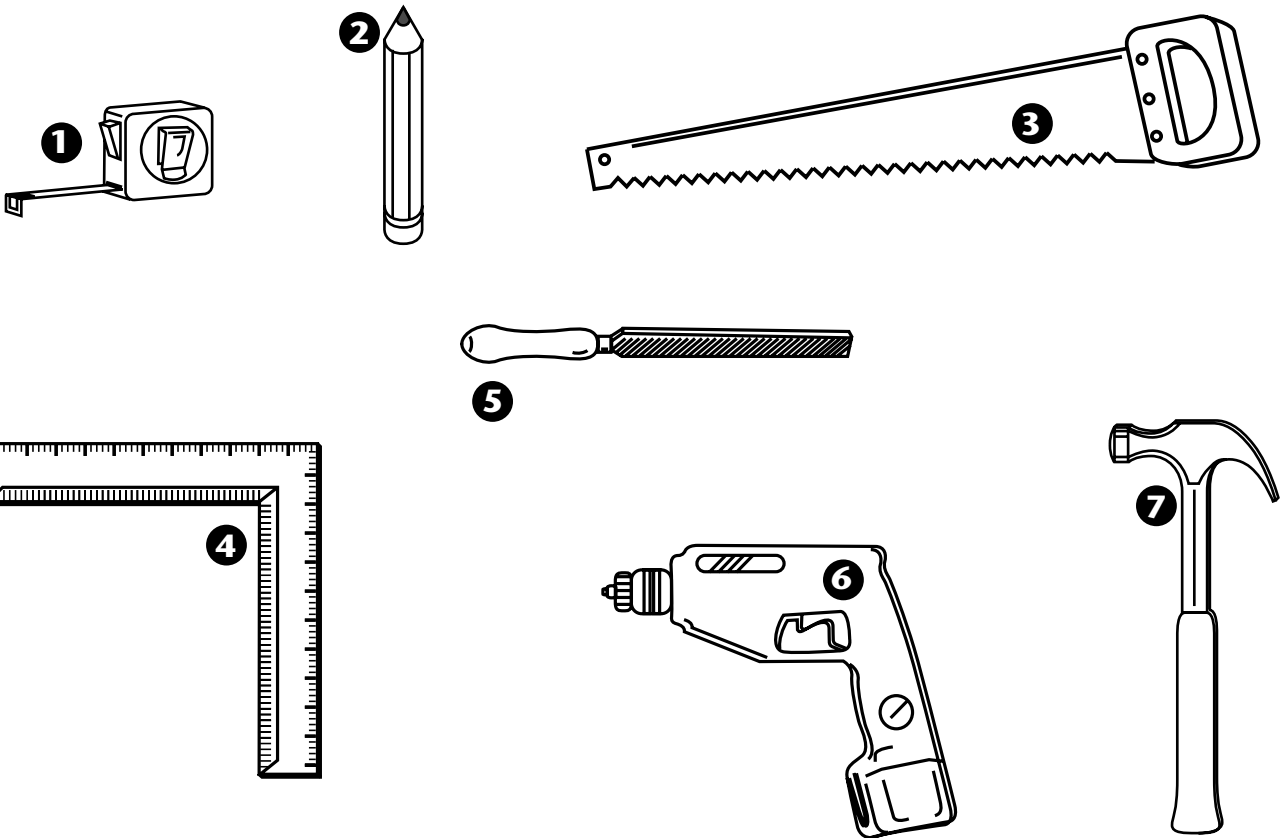
**I** Istruzioni per l'Installazione e Montaggio

**GR** Συμπεριλαμβάνονται

01



02



Congratulations with the purchase of this Jungle Gym® Do It Yourself kit. This kit contains all the parts and accessories necessary to build your own playground. Only the slide and lumber are not included in the kit. With the purchase of this Jungle Gym® kit you'll be able to construct a safe playset within a short period: a guaranteed pleasure for your children for many years. In these assembly instructions you will find a specification for the lumber you will have to purchase.

Jungle Gym® kits contain special developed hardware. This material is designed with great care and with the safety of your children as a first matter of importance. The hardware has no sharp angles or protruding parts and is protected against all kind of weather influences. All the parts in the kits are corresponding to the EN 71-1 & -8 (European Safety Standard) for private use, on the condition that the playground equipment is assembled and used properly in accordance with the manual. Do not deviate from these plans or alter design.

This product is intended for single-family residential use only. Public installations or public dominion is clearly a misuse of this product.

- When building this playset, at least two adults are required for lifting and holding beams, frames or other heavy assemblies in position before bolting or screwing. The construction will take you 1 hour for the assembly of a Swing and up to 4 hours for a climbing-tower.
- Check all the parts and group them systematically within reach. Compare these with the parts list.

#### SAFETY INSTRUCTIONS

- Carefully read these assembly instructions before you start with the assembly.
- Children should stay out of the work area until the safe play area is cleared of obstacles, the play set has been completely installed, all hardware has been tightened and checked, and all tools and other items that don't belong in the play area have been picked up.
- The ground surface must be level. Installing your playset on sloping ground can cause it to lean or "rack". This leaning puts additional stress on all connections and joints and in time will cause those connections to loosen and fail.
- Wear proper clothing and safety equipment (e.g. safety glasses, dust mask and gloves) when you saw, drill, grind, stain or assemble the playset, especially when working with pressure treated lumber.
- After assembly be sure to use a metal saw to cut off all protruding threaded ends of bolts and other fasteners. Remove any sharp edges with a metal file.
- To prevent splinters sand the wood with a piece of sandpaper. Also smooth all corners with sandpaper or a metal file to a radius of 3 mm.
- Do not attach extra items to this gym set, such as ropes, chains, heavy cord or other items.
- Do not combine products of other producers with Jungle Gym® products because it can decrease safety.
- Only use the RopeLocks™ in combination with Jungle Gym® swing hooks. Do not use the RopeLocks™ for other purposes, like mountain climbing or pulling loads.
- Wood parts of playsets should never be ignited when disposed of. Dispose of all metal parts so as not to create a hazard. It is not allowed to burn pressure treated, stained or painted lumber yourself, because of environmental pollution. Bring it to your local disposal place.
- The playset must be securely anchored to prevent the playset from turning over or shoving. If soil conditions permit stakes to be pulled out easily, cementing is required. Be sure that the ground anchors do not stick out of the ground because children can trip over them.
- Do not install your play set over concrete, gravel, asphalt, packed earth, or any other hard surface. A fall onto a hard surface can result in serious injury. The following is a list of recommended ground covers.

Suggested material	uncompressed depth
Double shredded bark mulch	9" (23 cm)
Uniform wood chips	12" (30 cm)
Fine gravel	12" (30 cm)
Fine sand	12" (30 cm)

-2. Any edging used to contain the ground cover must be beyond the safe play area. (Landscape timbers or railroad ties)

- The distance between swinging accessories (for example a swing seat) and the playground should be at least 35 cm.
- The distance between swinging accessories and an accessory and the frame, should be at least 30 cm.
- A Climbing rope or a Rope ladder always has to be secured at both top and bottom, because the free-hanging Rope can be knotted into a halter and children can become entangled.
- Follow the manufacturers' safety recommendations for the tools and equipment you use.
- Save these assembly instructions for future reference.

#### INSPECTION AND MAINTANCE

To ensure the safety of the users of the playset, the playset have to be subjected to the safety inspections mentioned below once at the beginning of each season and further twice monthly during the usage season.

- Wood components

- Inspect for splinters and possible other structural defects.
- Maintain the set with periodic applications of exterior stain to prevent wood rot. Do not use paint that can cause a slippery surface.
- Hardware
  - Check all hardware if they are tightened. Caution: over-tightened hardware crushes the fibres of the wood resulting in split boards.
  - Check the remaining hardware, brackets and swing hooks also on rust, which can have affect on the strength. Replace when necessary.
  - Check the ground anchors.
- Accessories (if appropriate)
  - Check RopeLocks™ if they are proper installed onto the Jungle Gym swing hooks. To check the RopeLocks HC, hang with your full bodyweight onto each individual swing Rope for a couple of seconds. The RopeLocks SC can be checked by sitting on the accessory with your full bodyweight for a couple of seconds. If any squeaking occurs, the RopeLocks HC can be moistened with water.
- Check Swing Seats and bars for integrity and check swing ropes for fraying or extreme creation of fibre. To give a good judgement of the Rope, open the strands of the Rope there where the fraying occurred and securely check whether the filaments are broken. Replace when necessary.
- Check the attachment of the slide onto the platform for chinks in which for instance strings from capuchins can get stuck which results in entangling.
- All accessories can be cleaned with warm water and a mild detergent. Heavily dirt slides can be cleaned with a high pressure cleaner, be careful not to damage the slide surface.
- Surface and direct environment
  - Check if the shock-absorbing surface isn't compressed too much, loosen if necessary. Fill up any holes, for example under swing seats.
- Check the playsets stability.
- Check the environment for direct danger like overhanging branches, clotheslines, loose materials.

#### SAFE PLAY (ILL. 01)

- 1 Equipment should not be played upon in wet weather conditions because of potentially slippery surfaces and in periods of frost, even the softest pavement can change into a very hard surface. Accessories should be removed and taken indoors when temperatures drop below 0° C (32° F).
- 2 Using the playground or the accessories in any other manner than the way intended could lead to damage or, even injury.
  - 2. Do not twist or wrap swings, chains, ropes or any other accessories. Twisting will reduce the strength of the accessories and may cause entrapment.
- 3 Caution children not to:
  - jump off swings while they are in motion
  - swing empty seats or other empty accessories
  - swing at an angle
  - hang upside down from any part of the gym set.
  - grasp or stop another child on a moving equipment
  - walk close to, in front of, between, or behind moving accessories
- 4 Caution children to sit in the centre of the swings with their full weight on the seats. Only one child per each planned occupant seat should be allowed. A standard tower: maximum 3 children are allowed to play on the playset with a maximum weight of 50 kg each. A standard tower in combination with a swing: maximum 5 children are allowed to play on the playset with a maximum weight of 50 kg each.
- 5 Climbing or hanging on the frame of the playset must not be permitted. Serious injuries can be resulted from falls
- 6 Install the set on level ground not less than 1.80 metres from any structure or obstruction such as a fence, garage, house, overhanging branches, laundry lines, or electrical wires. Do not situate your playset in the direction of walks or gangways.
- 7 Each open area on a platform increases the risk of possible accidents. The risk can be significantly reduced with the addition of safety features like handles, safety bars and fence boards.
- 8 Do not allow children to go down the slide in any other manner than sitting.
  - Avoid southern sunlight exposure to the slide. All components may become hot when exposed to direct sunlight. Make sure the playset is not hot before allowing children to play. If necessary the playset can be cooled down by with water, dry the playset before using. Do not spray water on the slide to upgrade the joy of playing. Children slide too fast, which can cause injury.

#### Attention:

- On site adult supervision must be provided for children of all ages and at all times.
- Teach the children to play safe.
- Jungle Gym® products are designed for use by children age 3 to 10 years old, unless indicated differently.
- Dress children appropriately. Avoid accessories and clothing with drawstrings and loose fitting clothes, which could become entangled or snagged on equipment.
- Last but not least: use common sense to avoid any possible unsafe situations.

#### REQUIRED TOOLS (ill. 02)

- 1 Tape measure
- 2 Pencil
- 3 Hack saw
- 4 Combination square
- 5 Wood- & metal file

- 6 Wood drill 3 & 5 mm
- 6 Electric drill
- 7 Hammer

#### CONTENTS JUNGLE GYM KIT (ILL. 03)

#### STANDARD BOLT CONNECTIONS (ILL. 04)

- Place the lock washer over the shank of the bolt, followed by the flat washer and the bolt cap, when appropriate. When tightened, the spring action of the lock washer will be compressed between the head of the bolt and the flat washer.
- Put the shank of the bolt through. Hit the barrel of the weld nut with a hammer into the hole from the other side. The protruding barrel of the weld nut should be inside the wood. Use the 13 mm socket in your electric drill to tighten each bolt until the lock washer is fully compressed between the head of the bolt and the flat washer.
- If the bolt appears to be too short, we advise to counter drill the upper part of the hole in the thickest part of the wood with a ø 22 mm drill, so the bolt will be sunk after assembly. Treat the arise hole with stain. Because the bolt head is recessed now, there is no need to use the bolt protection cap.
- If the bolt appears too long, it is necessary to remove the protruding end by cutting it off. If any sharp edges appear, use a file.

#### PILOT HOLES (ILL. 05)

- In order to prevent the wood from splitting, drilling pilot holes are recommended for all screws. These pilot holes are 10 mm shorter than the screws.
- For a lag screw first drill a hole ø 10 mm in the part that you want to attach.

#### WOOD & CUTTING INSTRUCTIONS (ILL. 06/08)

- The quality of your set will be reflected by the quality of the lumber that you buy. The money you save on lower quality wood will be lost quickly in aggravation while building and will result in a finished product that will provide far less satisfaction.
- Buy wood which does not have the centre inside and is free of cracks, otherwise there is a possibility that installed hardware can fall out.
- The top beam for a swing should be picked with extra care. You can test the integrity of the beam by laying it with both ends on for example two crates. Let someone help you to keep balance and then jump up for approximately 10 cm. The caused impact on the beam is approximately the same as an applied weight of 200 Kg. If the beam does not break or crack, it is suited as a top beam. A slight bending of the beam is normal. Be careful not to inflict personal injury.
- The following lumber is suited for building your playset:
  - Lumber with a natural resistance against wood rot and insect damage, e.g. Robinia, tropical hardwood, European hardwood, oak, chestnut, red cedar.
  - Pressure treated lumber.
  - Otherwise treated lumber (e.g. heat-treated)
  - Lumber without a natural resistance against rot, but painted with a suited exterior stain.
- Pay extra attention to parts that make contact with the ground.
- Treat all sawing surfaces and ends with an outdoor stain to prevent the wood from rotting, also when pressure treated wood is being used.
- Treat also all sank down holes and holes for the Rope ladder or Climbing rope with the stain.
- As Jungle Gym® playsets are designed to grow with your children, all playsets can be expanded and some of them have the option to vary the height of the platform, so you can choose the length of the slide.
- In addition to the lumber you will need:
  - 100 kg play sand

#### SPACE REQUIRED (ILL. 07)

The indicated ground space includes the space necessary to build a Jungle Climber in combination with a New Wave Slide, built within safe distance to possible obstacles.

**03**

30x #000.001  
25 mm

1x #001.01  
50 mm

16x #001.04  
90 mm

4x #001.07  
120 mm

8x #001.22  
40 mm

22x #001.28  
80 mm

16x #002.305  
13 mm

2x #002.308  
20 mm

110x #002.318  
45 mm

2x #002.321  
60 mm

52x #002.324  
80 mm

6x #002.41  
20 mm

16x #002.42  
13 mm

3x #002.43  
25 mm

21x #003.10

16x #003.20

6x #003.32  
ø 22 mm  
#003.40

43x #003.32  
ø 17 mm

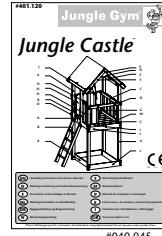
21x #004.53  
65 mm

30x #005.01

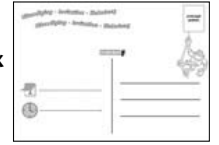
16x #022.830

1x #120.24

1x

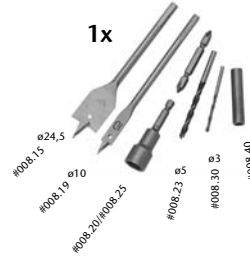


1x



#111.30

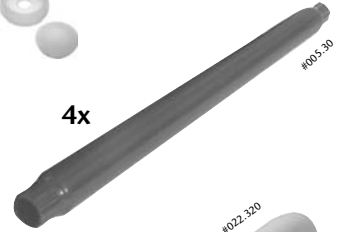
1x



34x

#022.314 #022.835

4x



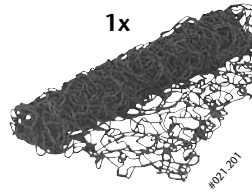
4x

#022.320

#022.845

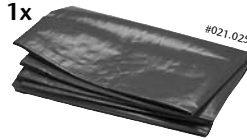
8x

1x



#021.201

1x



#021.025

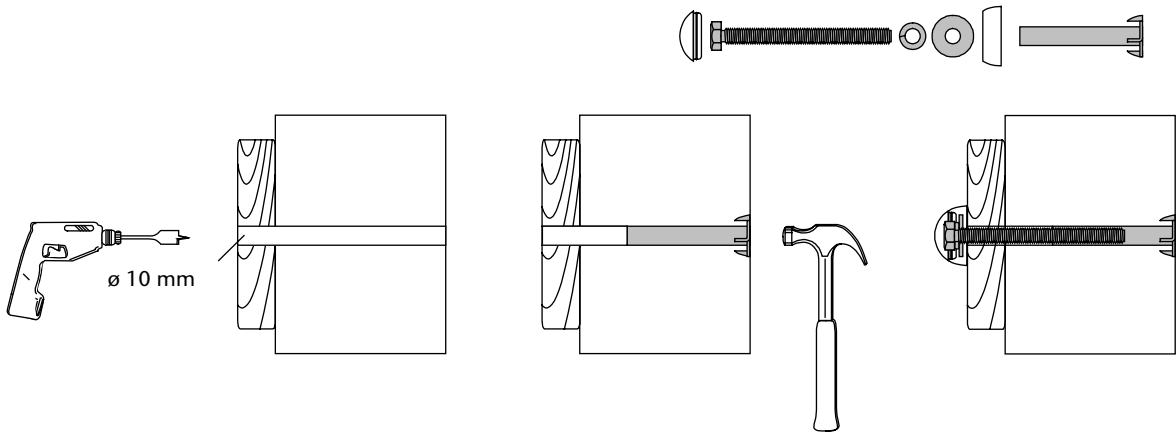
1x



#021.301

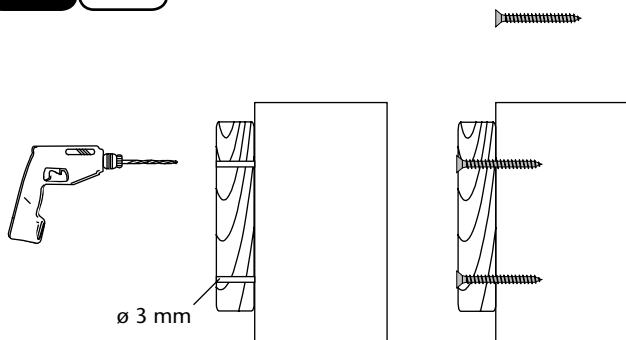
Jungle Castle  
Batch 07-01

**04**

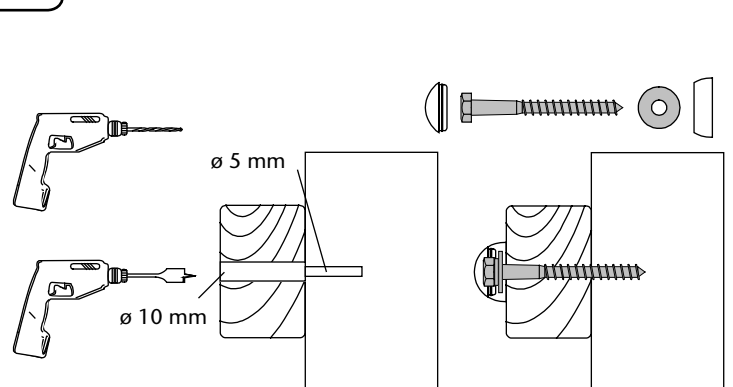


**05**

**a**

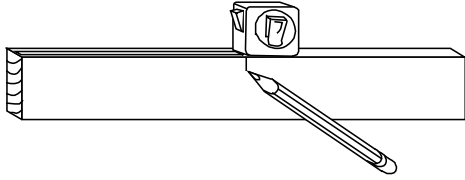


**b**

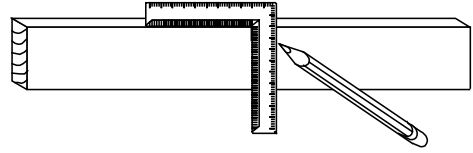


06

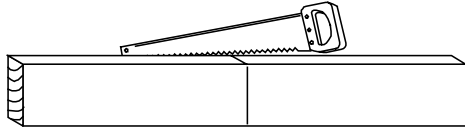
a



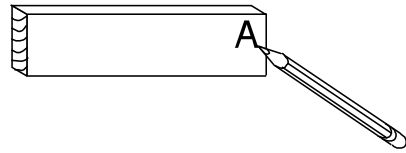
b



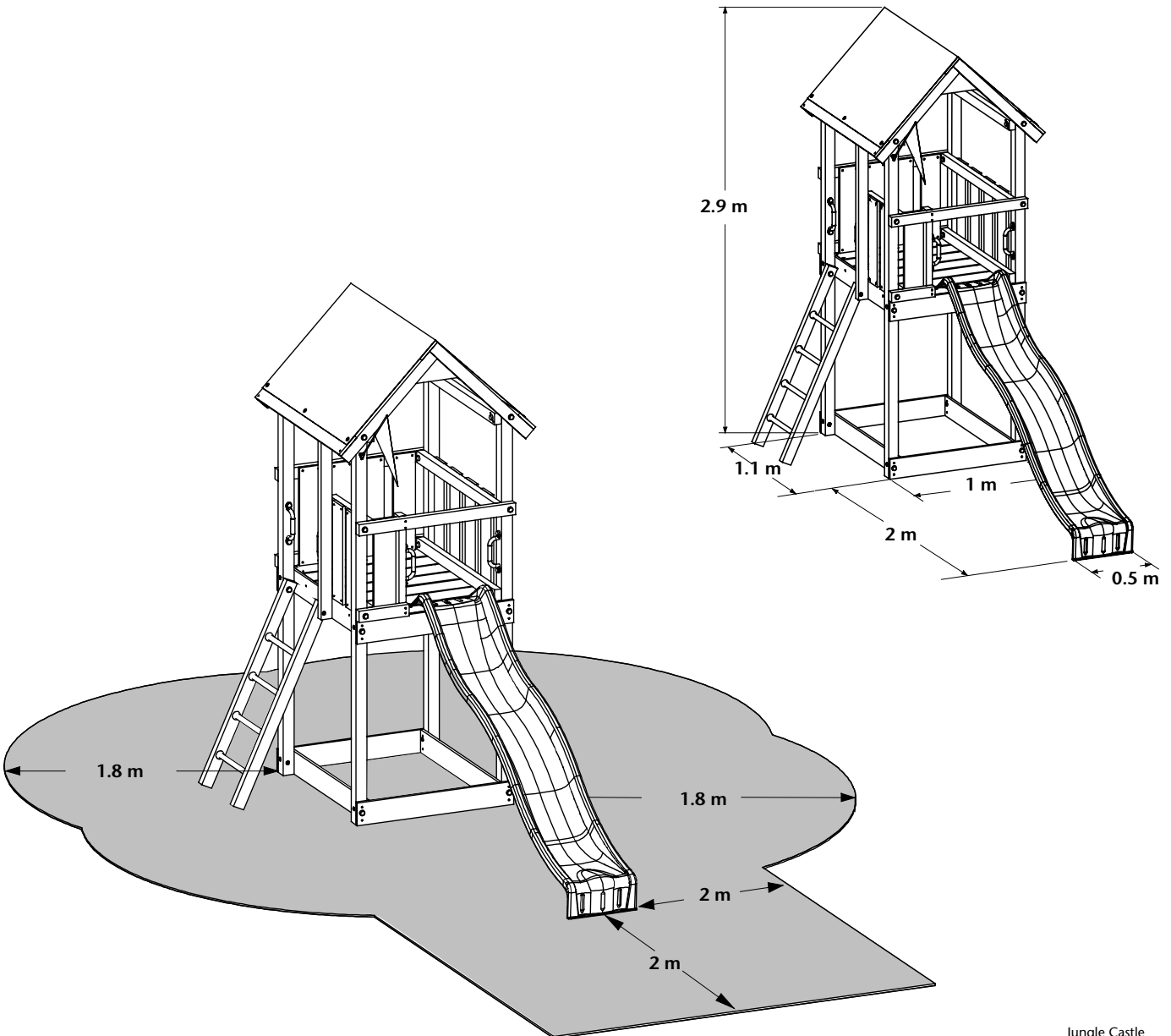
c



d

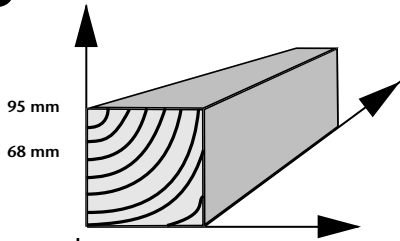


07

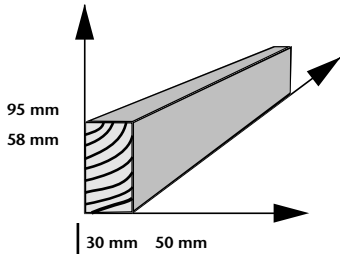


Jungle Castle  
Batch 07-01

16



4x A = 240 cm



3x B ≤ 130 cm


7x C = 110 cm

3x D = 100 cm

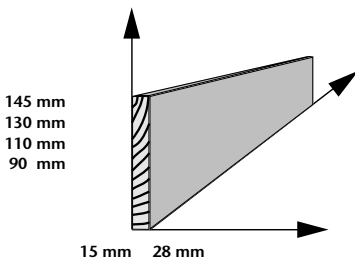
2x E = 87 cm

2x F = 80 cm

1x G = 60 cm

2x H ≤ 56 cm 

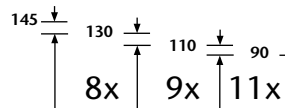

1x I = 32 cm

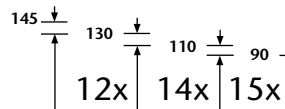


3x J = 119 cm

4x K = 110 cm

4x L = 100 cm


 8x 9x 11x M ≤ 83 cm 

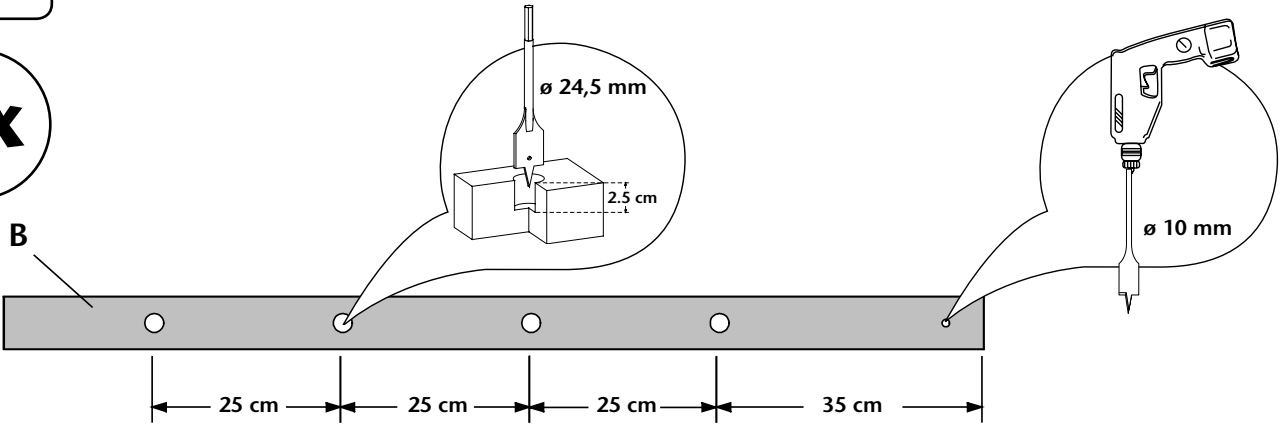

 12x 14x 15x N = 60 cm

2x O = 50 cm

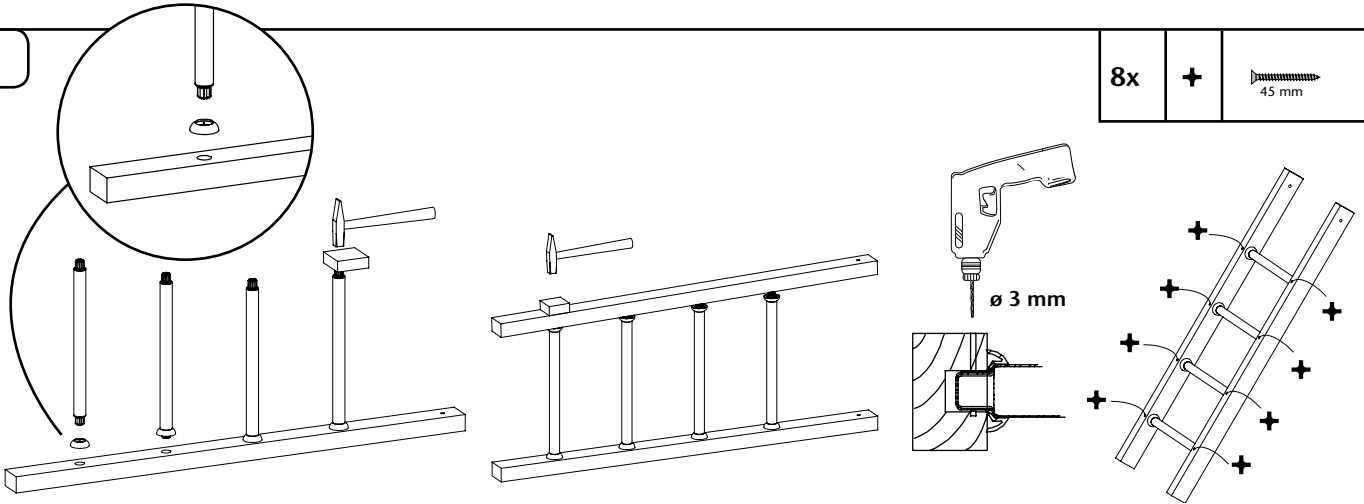
09

a

2x



b



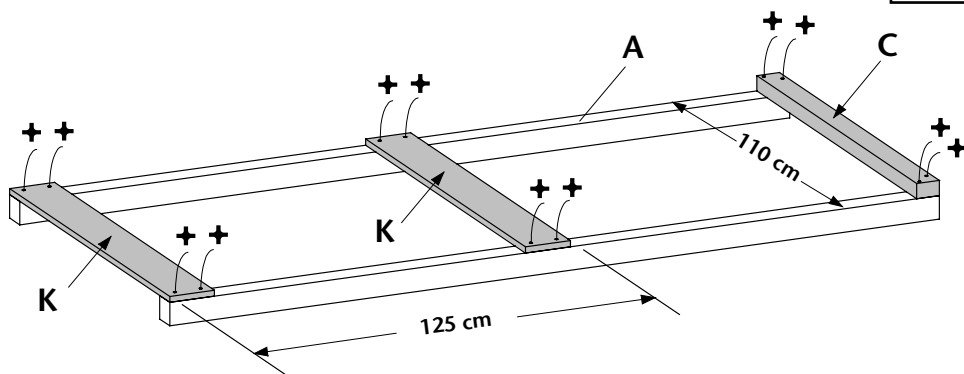
8x

+

45 mm

10

2x



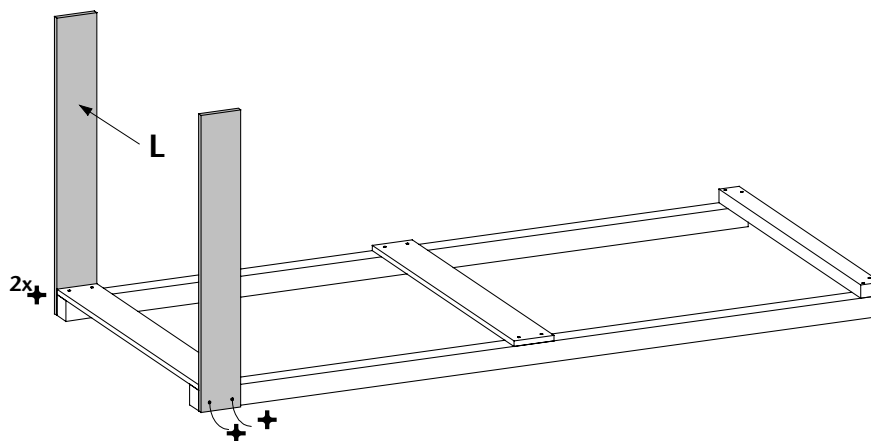
24x

+

80 mm

11

a



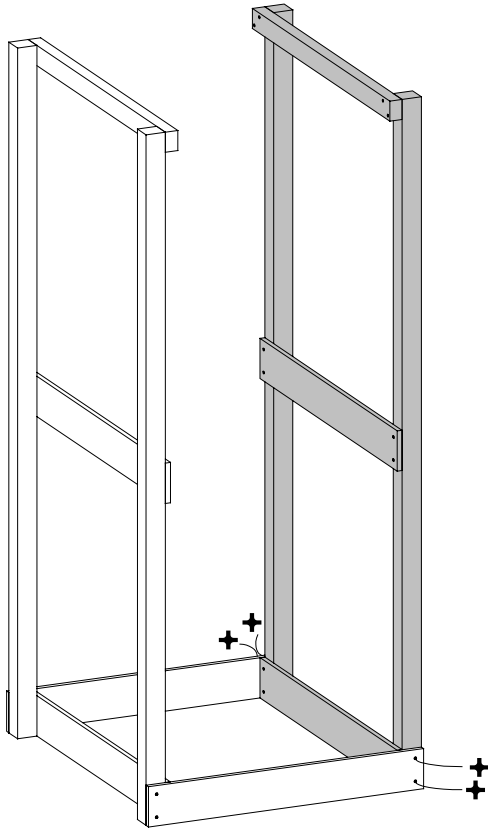
4x

+

80 mm

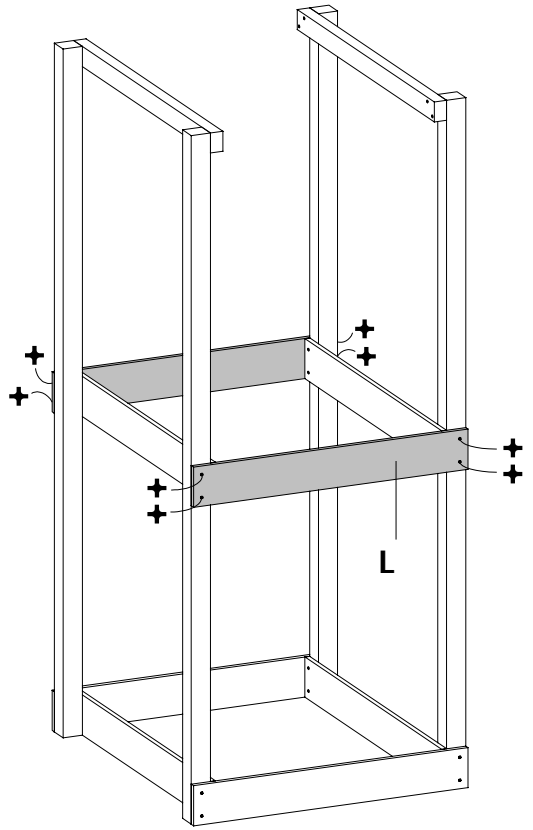
11 b

4x + 80 mm



c

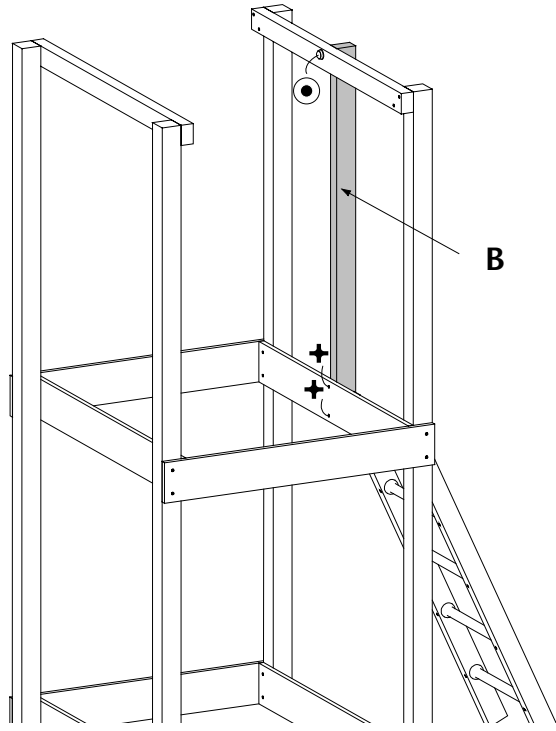
8x + 80 mm



12

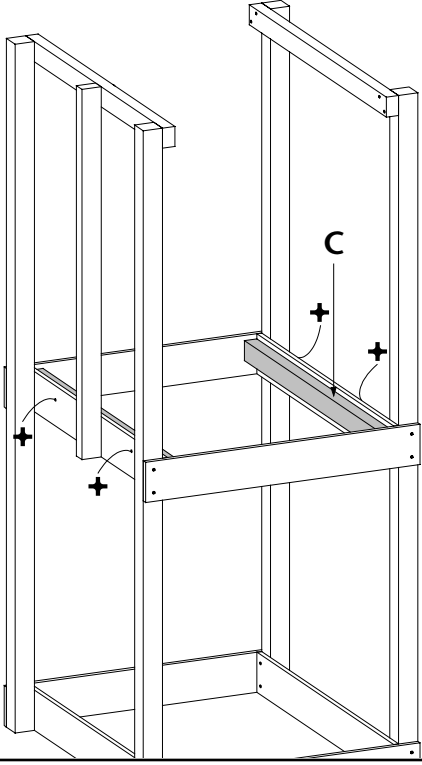
1x + 80 mm


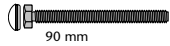


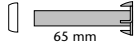

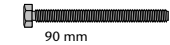


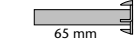



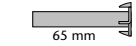
2x + 60 mm

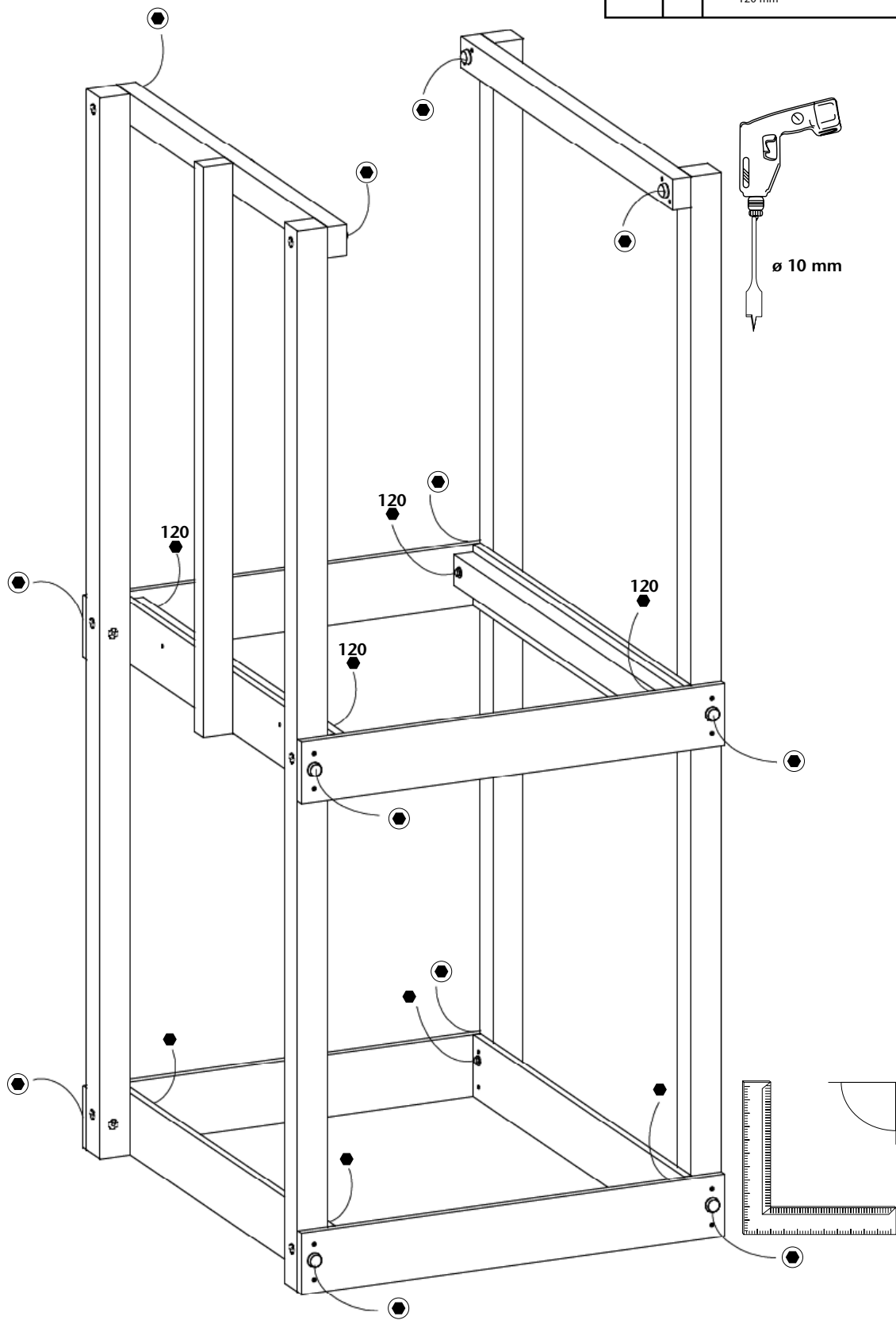


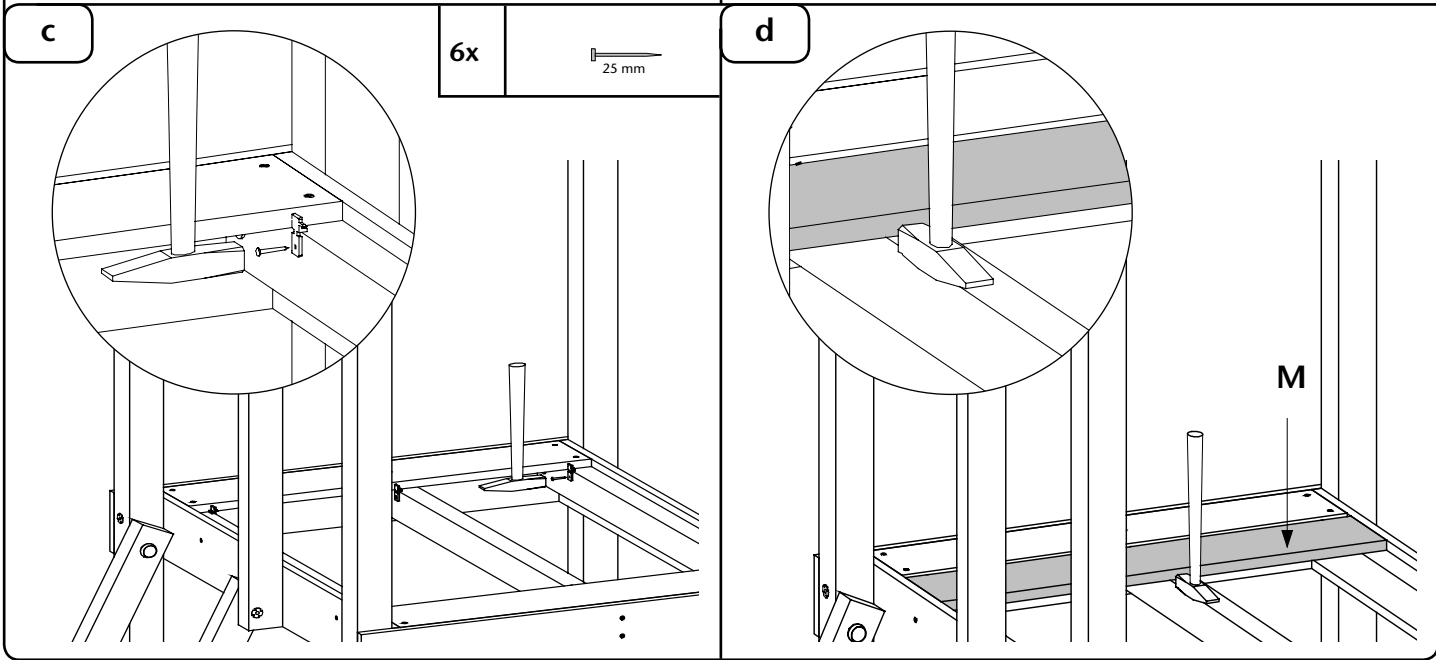
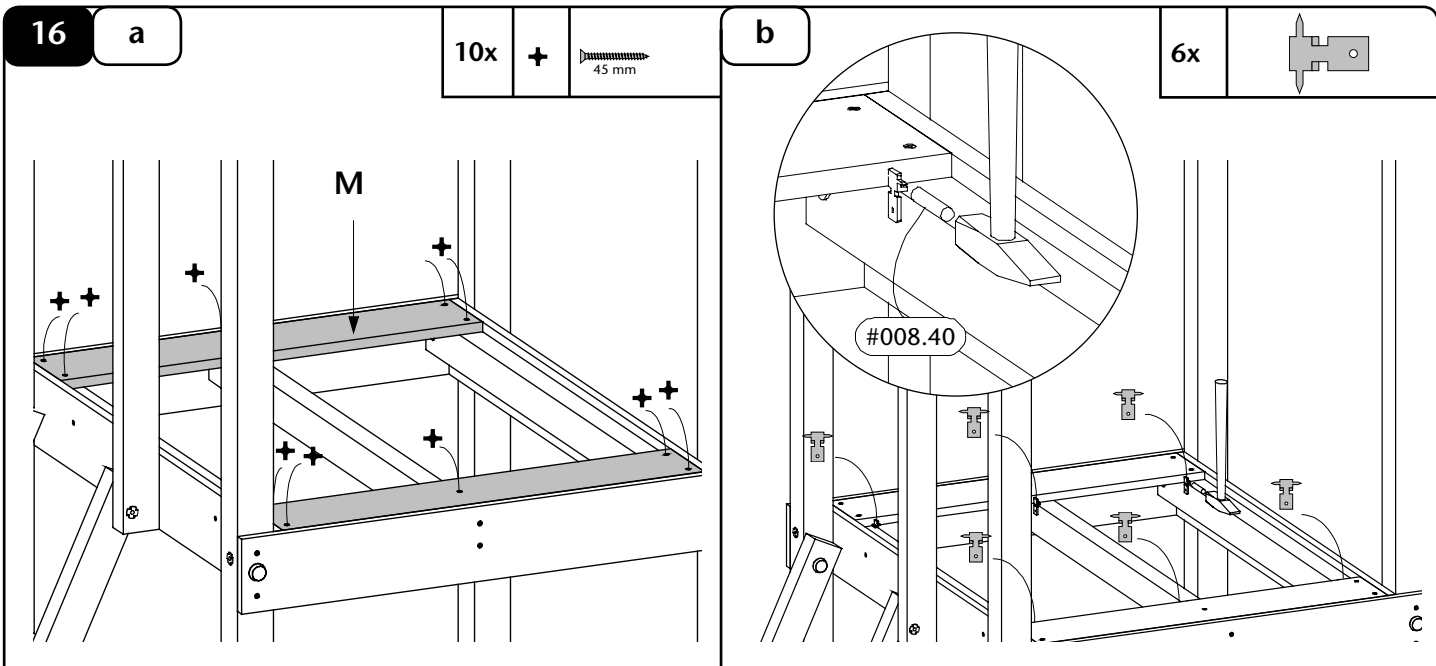
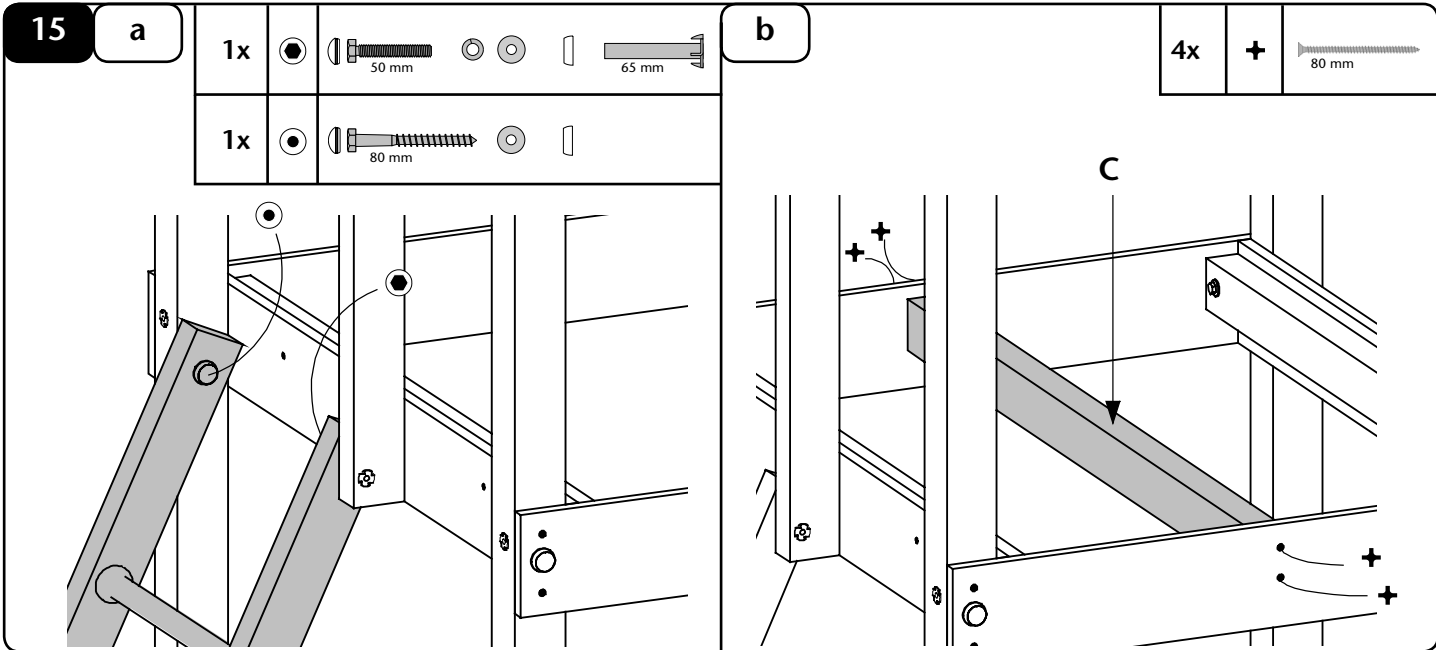
13

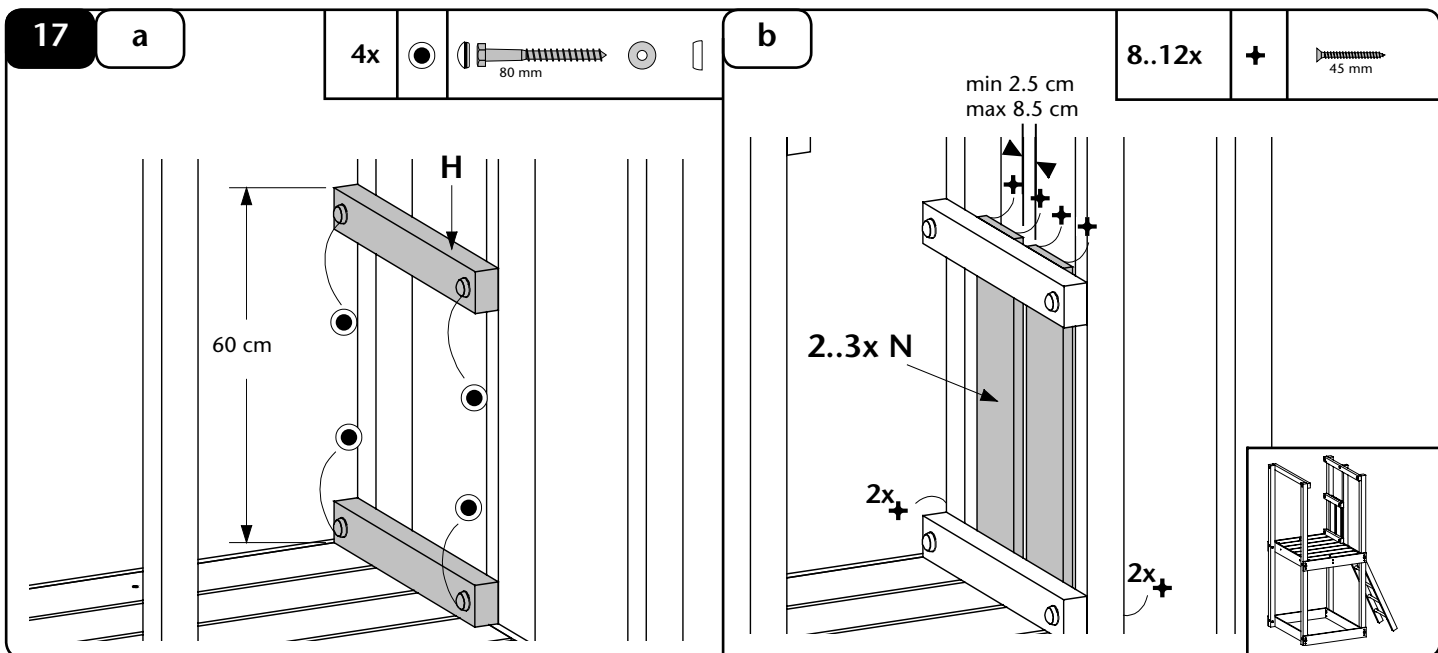
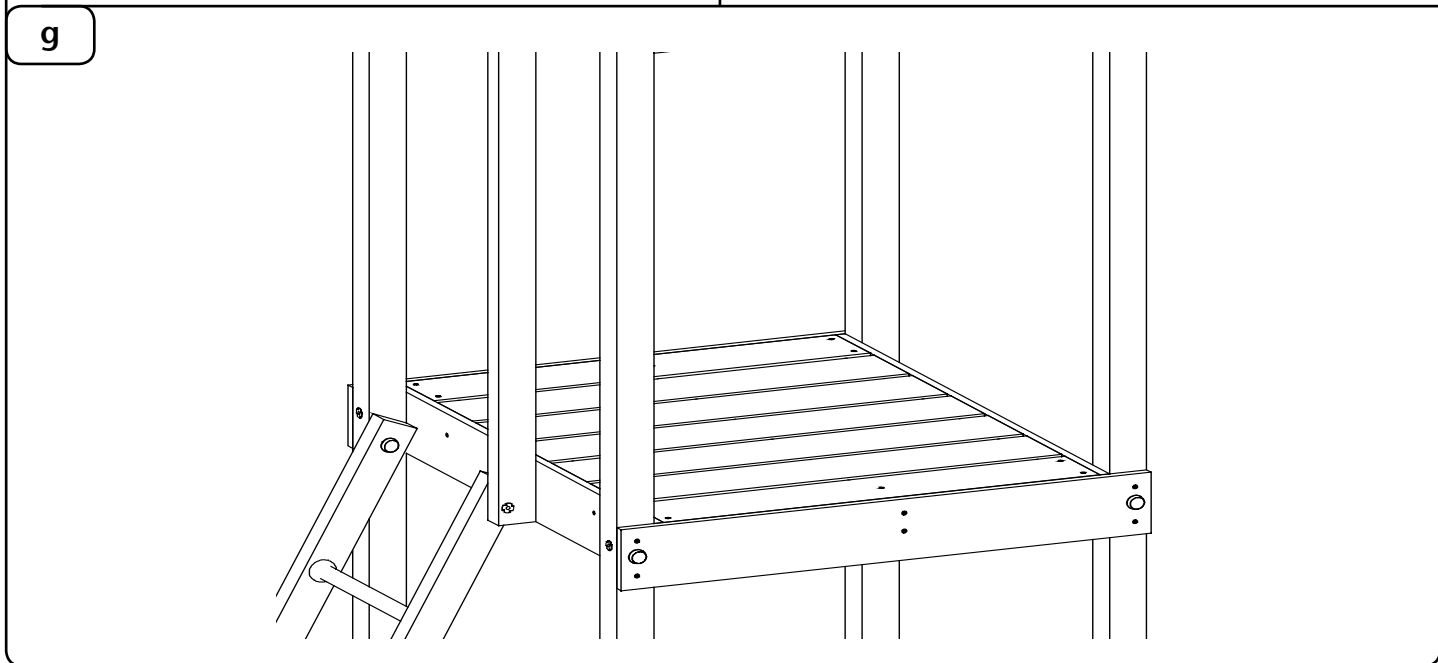
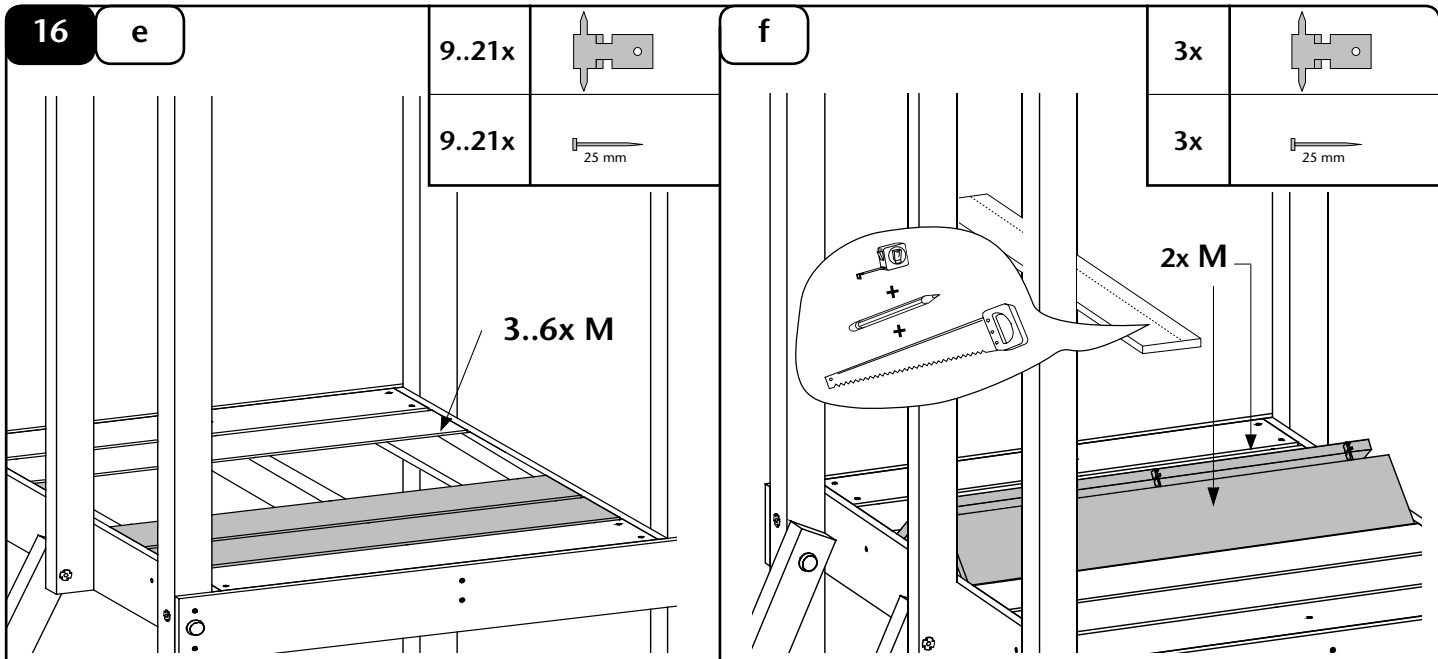
4x + 45 mm

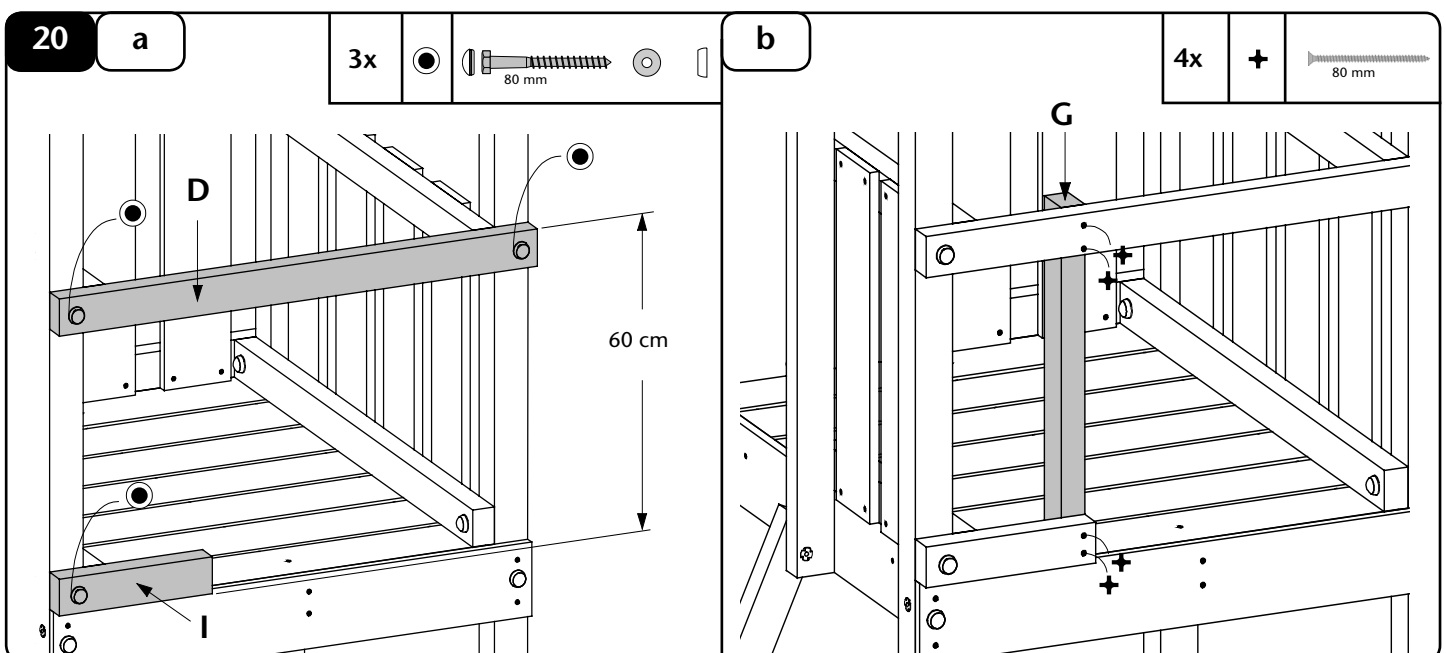
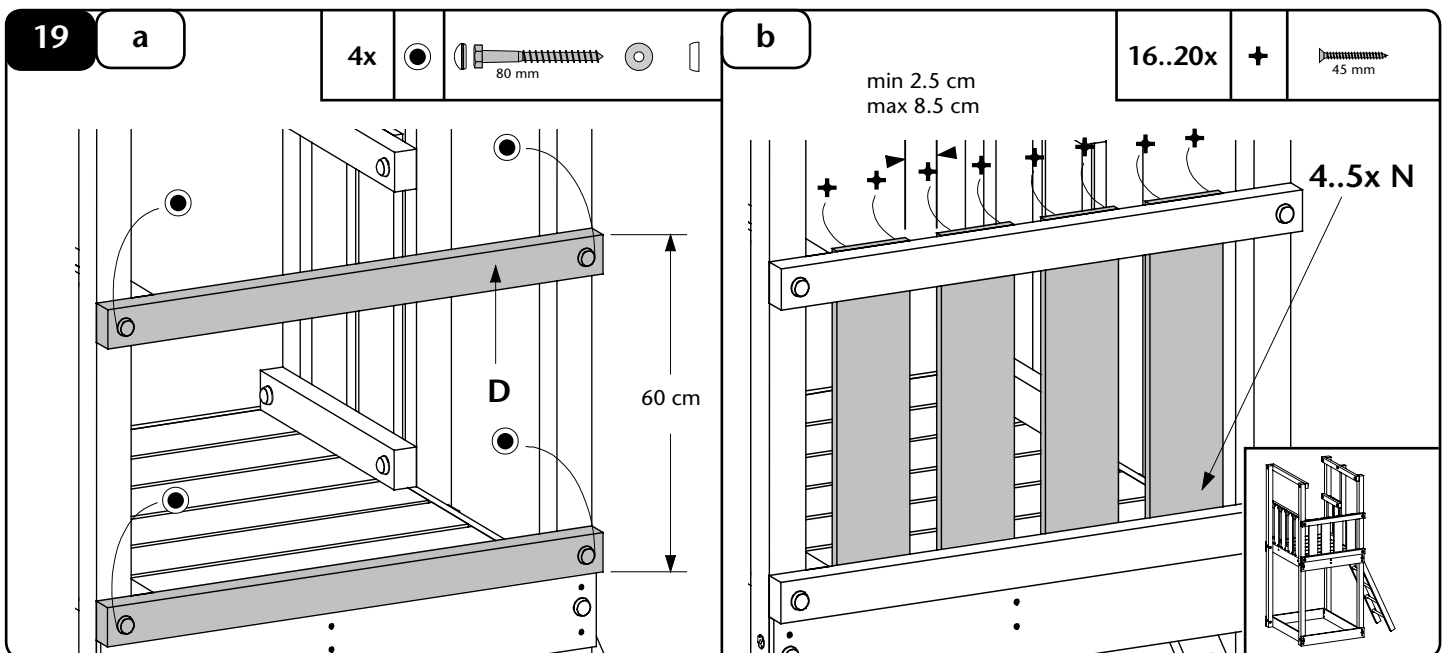
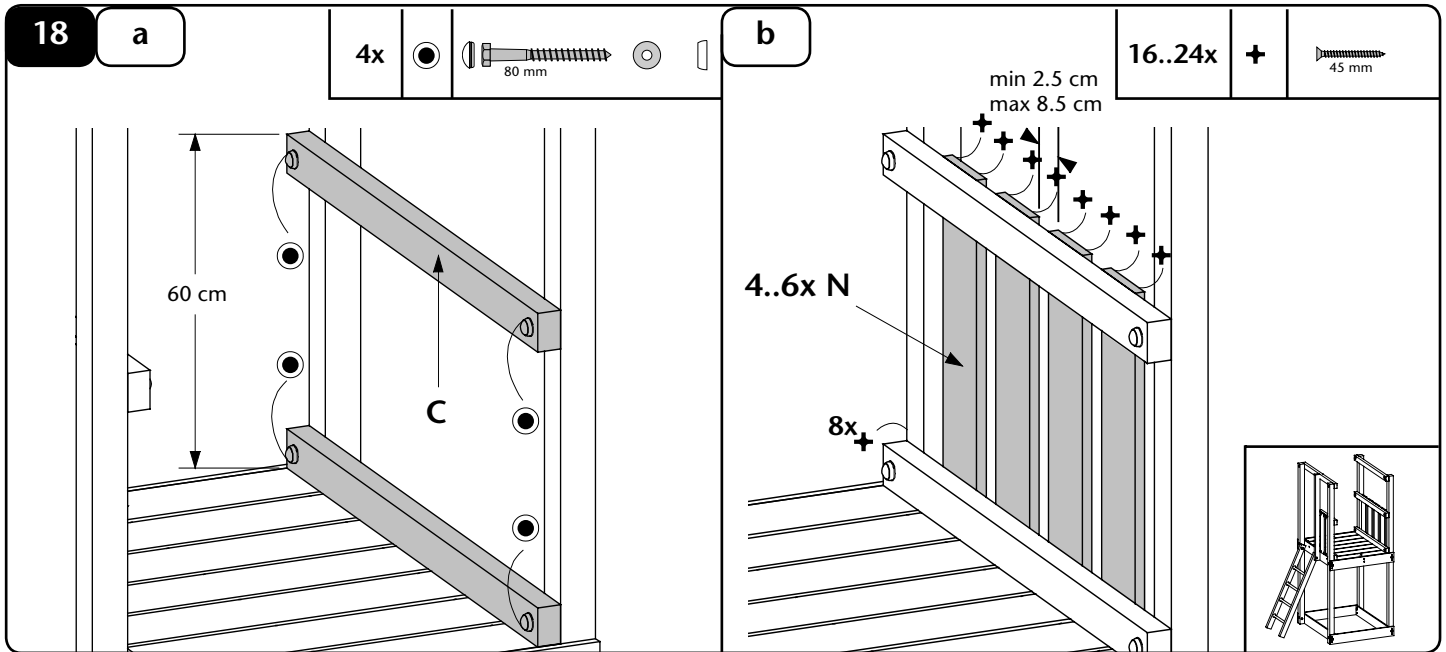


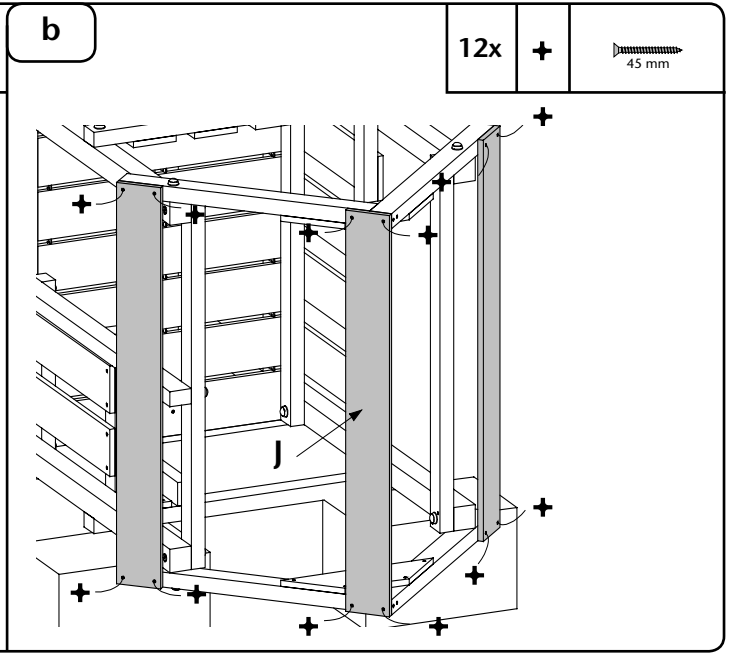
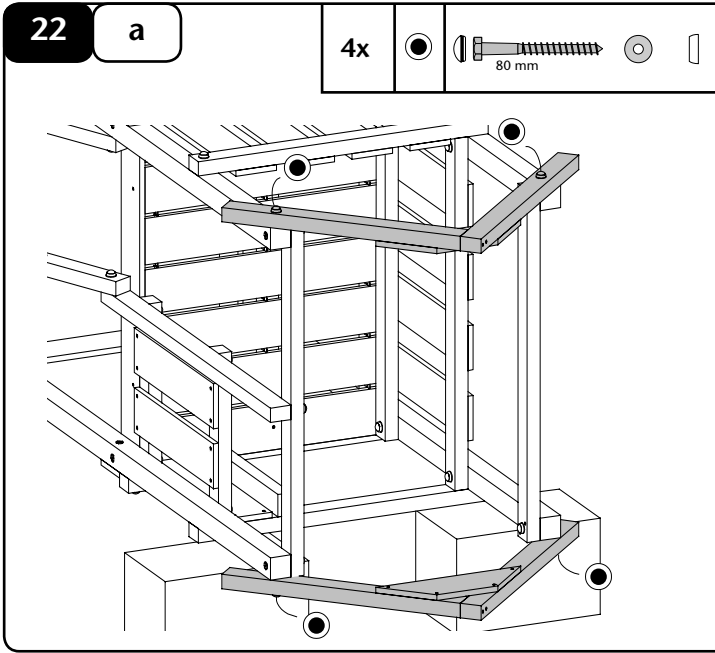
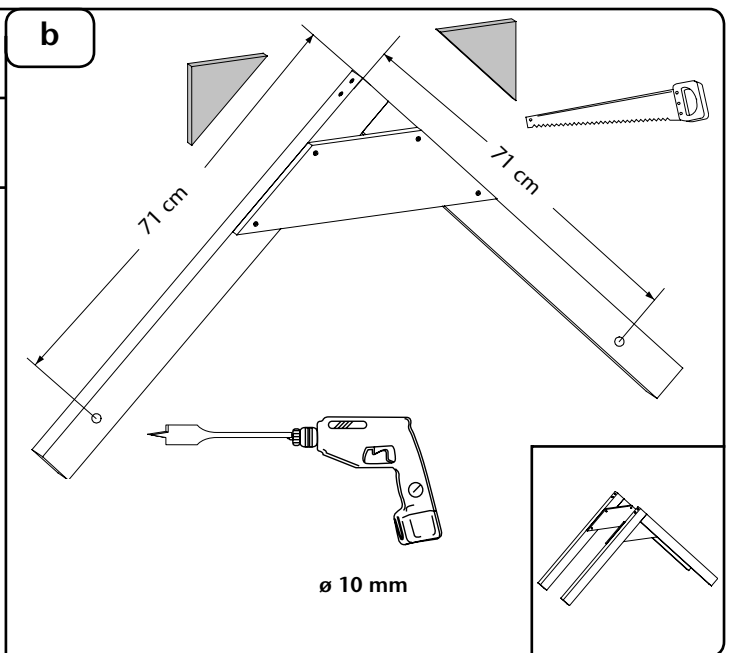
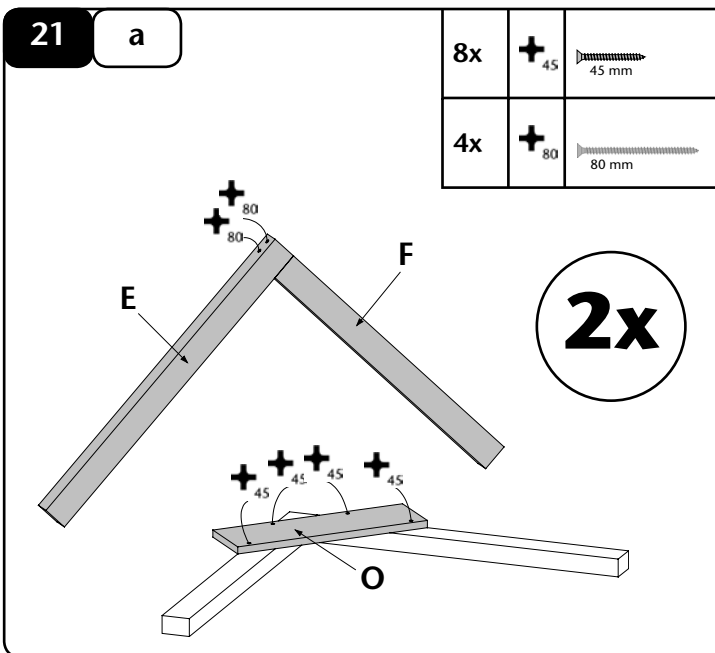
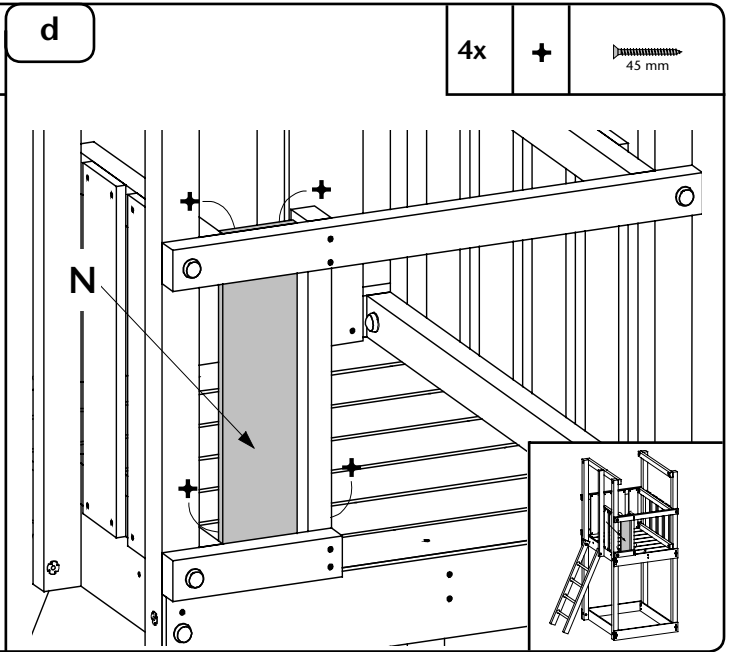
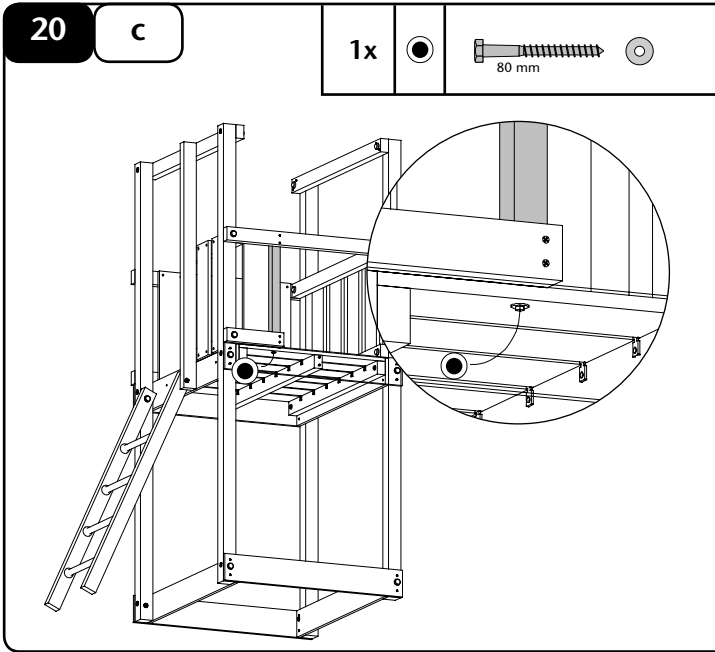
12x		 90 mm			 65 mm
4x		 90 mm			 65 mm
4x	120	 120 mm			 65 mm

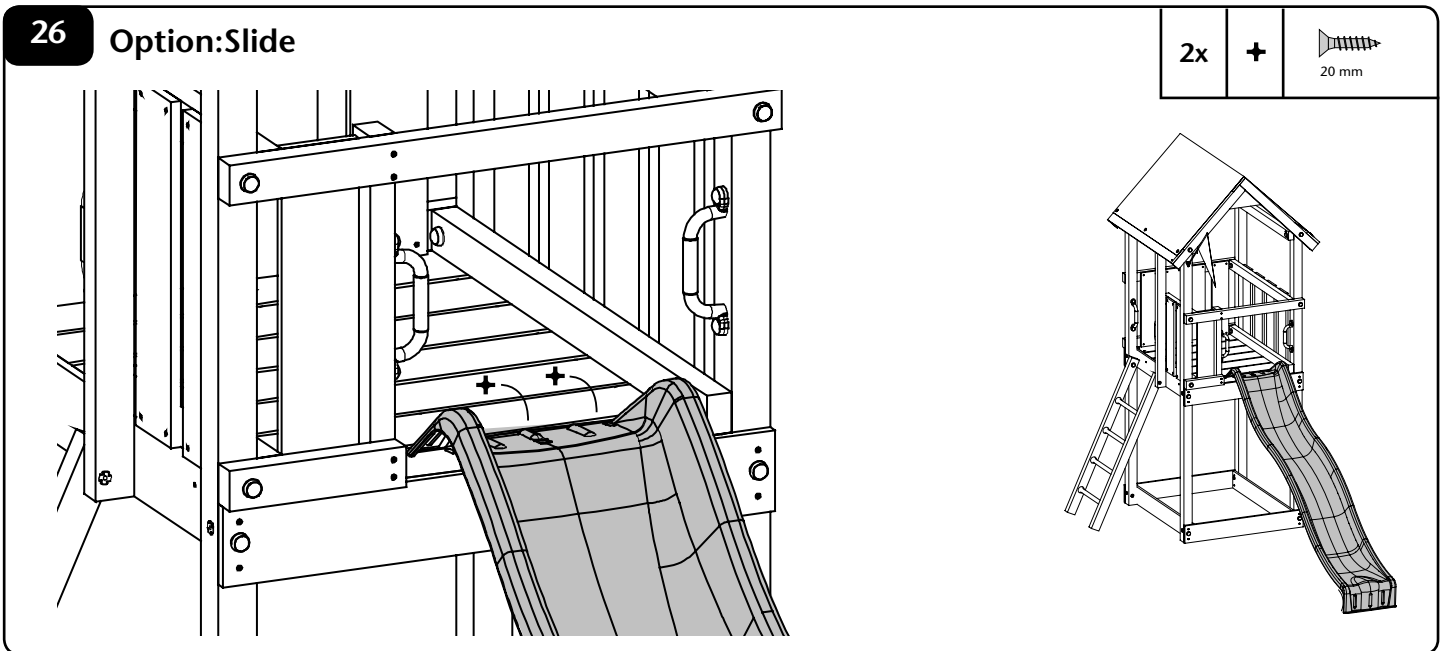
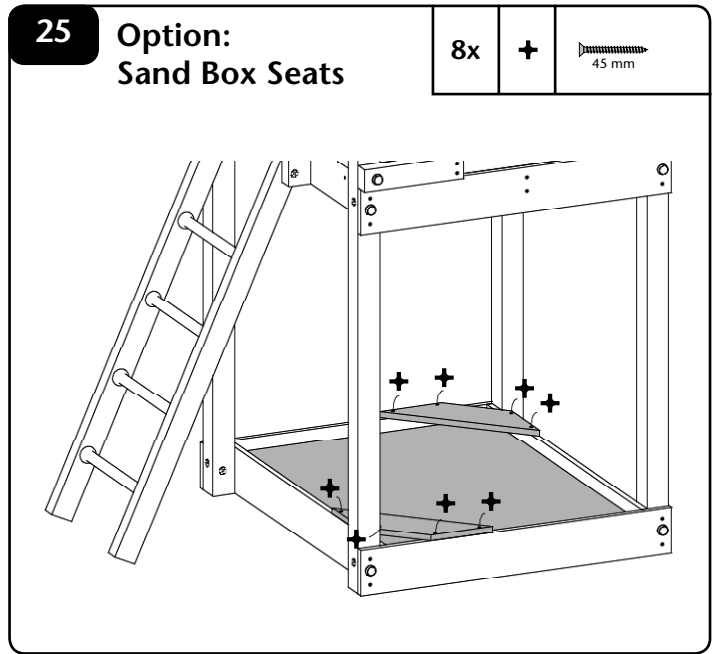
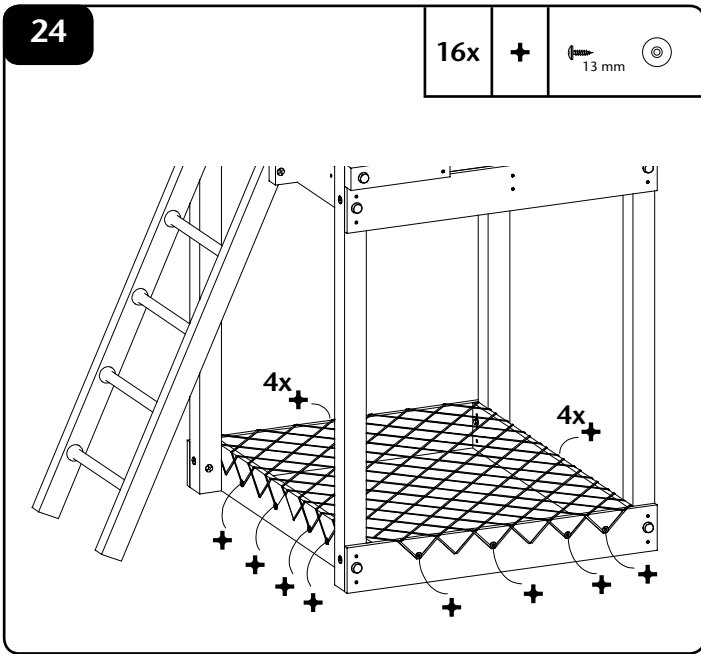
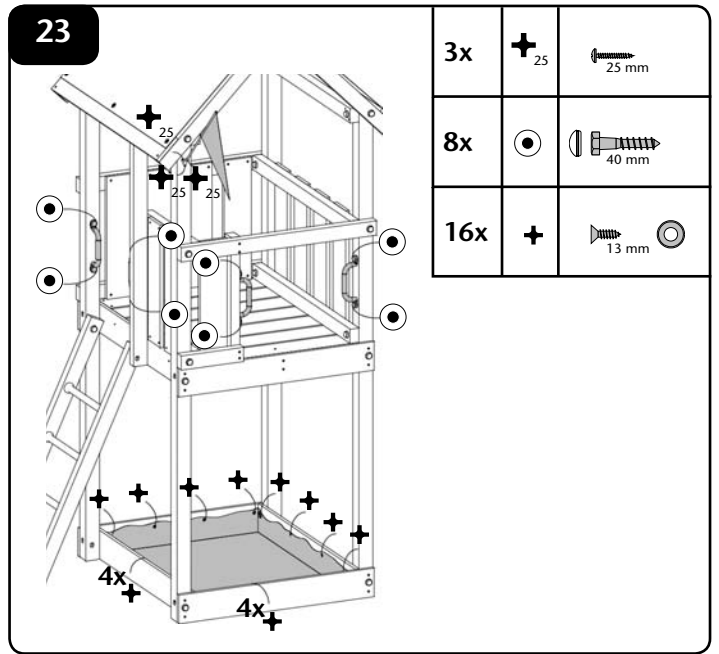
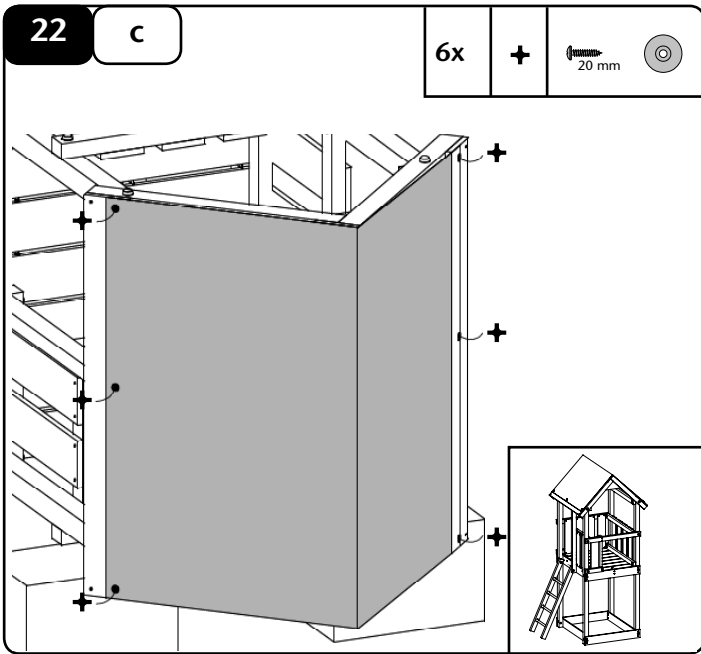












EN

**MANUFACTURERS LIMITED WARRANTY**

Subject to normal use, Jungle Gym® warrants the original purchaser only the components in the Jungle Gym® kit for 30 days from date of purchase on the following conditions:

- That those defects are attributable to flaws or defects in materials or workmanship.
- That the directions of this instruction manual have been thoroughly observed.
- That the products only have been used for the construction of play-sets for single-family residential purposes.

**This limited warranty does not cover:**

- The labour or cost of labour for replacement of the defective item.
- Any incidental or consequential damages.
- Items damaged due to vandalism, improper usage, improper installation or other abnormal conditions.
- Any modifications added to components and accessories.
- Jungle Gym® products for commercial applications.

**Warranty procedure**

- Contact the place of original purchase.

**Customer responsibilities**

- It is the customer's responsibility to perform regular inspections and maintenance to ensure that the product is not prematurely ageing. These inspections and maintenance are mentioned in the general part of this manual.
- The customer has to take all precautions to safeguard the safety of the children.

**LIABILITY**

- Jungle Gym® products are designed for use in private backyards, not in public surroundings. Jungle Gym® is therefore not responsible for any damage resulting from usage in public areas or public playgrounds.
- Jungle Gym® shall not in any event be liable for any direct, consequential, incidental, indirect or special damages, even if advised of the possibility of such damages.
- Jungle Gym® aggregate liability in respect of any single event or series of events whether as a result of negligence, breach of contract, misrepresentation or otherwise shall in no circumstances exceed the cost of the defective, damaged or undelivered product determined by the net invoiced price.

Jungle Gym® reserve the right to make changes in materials and design without prior notice.

D

**HERSTELLER GARANTIE**

Jungle Gym® gewährt auf das vorliegende Produkt eine Garantie von 30 Tagen nach Kaufdatum. Dies gilt nur für den ersten Eigentümer und nur unter folgenden Bedingungen:

- Die Mängel wurden durch Material- oder Herstellungsfehler verursacht.
- Die Anweisungen der Montageanleitung wurde genauestens befolgt.
- Die Produkte wurden nur für den Bau eines Spielgeräts für den privaten Gebrauch verwendet.

**Diese Garantie schließt einen Anspruch in folgenden Fällen aus:**

- Lohnkosten, die durch Ersetzen eines beschädigten Teils entstanden sind.
- Entstandene Folgeschäden und nebensächliche Schäden jeglicher Art.
- Schäden entstanden durch Vandalismus, unsachgemäßem Gebrauch, verkehrter Montage und anderen unnormalen Umständen.
- Jegliche Veränderung von Bestandteilen und Zubehör.
- Produkte von Jungle Gym® für den kommerziellen Gebrauch.

**Anspruch auf Garantie erheben:**

- Gehen Sie zu dem Fachhändler, bei dem Sie das Spielgerät gekauft haben.

**Verantwortung des Eigentümers:**

- Der Eigentümer des Spielgerätes ist für regelmäßige Kontrollen und Pflege verantwortlich, um vorzeitigen Verschleiß zu vermeiden. Diese Inspektionen und Wartungen werden im allgemeinen Teil dieser Anleitung beschrieben.
- Der Eigentümer muß alle möglichen Vorsichtsmaßnahmen ergreifen, um die Sicherheit der Kinder zu wahren.

**HAFTUNG**

- Die Produkte von Jungle Gym® wurden für den privaten Gebrauch entwickelt. Jungle Gym® schließt jegliche Form der Haftung aus, für den Fall, daß das Gerät auf öffentlichen Flächen und für kommerzielle Zwecke genutzt wird.
- Jungle Gym® kann nicht bei Folgeschäden, indirekten Schäden oder Schäden durch falschen Gebrauch haftbar gemacht werden.
- Die Gesamthaftung von Jungle Gym® bezüglich einzelner Ereignisse oder Serien von Ereignissen als Folge von Unachtsamkeit, Vertragsbruch, falscher Darstellung oder anderer Umstände kann auf keinen Fall den Wert des defekten, beschädigten oder fehlerhaft gelieferten Produkts, bestimmt durch den Netto-Rechnungsbetrag, überschreiten.

Änderungen an Materialien und Entwurf können durch uns ohne vorherige Ankündigung durchgeführt werden.

F

**GARANTIE DE FABRICATION**

Jungle Gym® garantit les éléments qu'elle a livrés contre les vices de fabrication pendant 30 jours après la date d'achat. Cette garantie ne vaut que pour le premier propriétaire, aux conditions suivantes:

- Les défauts sont causés par des vices de matériau ou de fabrication.
- Les indications de ce manuel ont été strictement suivies.
- Les éléments ont seulement servi à construire un portique à jeux pour usage privé.

**Cette garantie exclut tout recours dans les cas suivants :**

- Coûts salariaux engagés pour remplacer une pièce défectueuse.
- Dommage consécutif à l'utilisation du portique.
- Dommage à la suite de vandalisme, utilisation impropre, erreur dans le montage ou l'installation et autres circonstances anormales.
- Si des changements ont été apportés dans les pièces ou accessoires.
- Si le portique n'a pas été placé dans un jardin privatif pour usage personnel.

**Recours à la garantie :**

- Prendre contact avec le point de vente où l'on a fait l'acquisition du produit.

**Responsabilités du propriétaire :**

- Le propriétaire du portique doit effectuer lui-même des contrôles réguliers et assurer l'entretien pour éviter une usure précoce. Ces inspections et cet entretien sont décrits dans la partie générale de ce manuel.
- Le propriétaire doit prendre toutes les mesures de précaution nécessaires pour assurer la sécurité des enfants.

**RESPONSABILITÉ**

- Les produits de Jungle Gym® sont conçus pour être utilisés par des particuliers dans leur jardin privatif. Jungle Gym® exclut toute responsabilité au cas où le portique est utilisé sur des lieux publics ou à des fins commerciales.
- Jungle Gym® exclut toute responsabilité pour un dommage consécutif, un dommage direct, un dommage indirect ou un dommage causé par un usage impropre.
- La responsabilité de Jungle Gym concernant tout cas particulier ou série de faits consécutif à une négligence, rupture de contrat, présentation erronée ou autre n'excédera en aucun cas le coût du produit défectueux, endommagé ou manquant déterminé à partir du prix net facturé.

Jungle Gym® se réserve le droit d'apporter des modifications au plan, au manuel ou à la réalisation sans le faire savoir préalablement.

NL

**FABRIEKSGARANTIE**

Jungle Gym® garandeerd de door haar geleverde componenten voor fabrieksfouten gedurende een periode van 30 dagen na aankoopdatum. Dit geldt alleen voor de eerste eigenaar, onder de volgende voorwaarden:

- De defecten worden veroorzaakt door materiaalfouten of fabrieksfouten.
- De aanwijzingen in deze handleiding zijn nauwgezet opgevolgd.
- De componenten zijn slechts gebruikt voor het bouwen van een speeltoestel voor particulier gebruik.

**Deze garantie bepaling sluit aanspraak in de volgende gevallen uit:**

- Loonkosten ontstaan door vervanging van een defect onderdeel.
- Gevolgschade door gebruikmaking van het toestel.
- Schade als gevolg van vandalisme, oneigenlijk gebruik, verkeerde montage of installatie en andere abnormale omstandigheden.
- Indien er veranderingen gedaan zijn aan onderdelen of accessoires.
- Indien het toestel niet voor particulier gebruik in de achtertuin ingezet wordt.

**Aanspraak maken op garantie:**

- Neem contact op met het verkooppunt waar het product gekocht is.

**Verantwoordelijkheden van de eigenaar:**

- De eigenaar van het toestel dient zelf periodieke controles uit te voeren en onderhoud te plegen om voortijdige slijtage te voorkomen. Deze inspecties en dit onderhoud worden beschreven in het algemene gedeelte van deze handleiding.
- De eigenaar moet alle mogelijke voorzorgsmaatregelen nemen om de veiligheid van de kinderen te waarborgen.

**AANSPRAKELIJKHEID**

- De producten van Jungle Gym® zijn ontwikkeld voor gebruik door particulieren in de achtertuin. Jungle Gym® sluit iedere aansprakelijkheid uit in het geval dat het toestel in openbare gelegenheden of voor commerciële doeleinden gebruikt wordt.
- Jungle Gym® sluit iedere aansprakelijkheid uit voor gevolgschade, directe schade, indirecte schade of schade veroorzaakt door oneigenlijk gebruik.
- De verantwoordelijkheid van Jungle Gym inzake een gebeurtenis of een serie van gebeurtenissen, als gevolg van nalatigheid, contractbreuk, misrepresentatie of anderszins, overschrijdt in geen geval de kosten van het defecte, beschadigde of niet geleverde product, bepaald door de netto factuur prijs.

Jungle Gym® behoudt zich het recht voor om wijzigingen in ontwerp, handleiding of uitvoering aan te brengen zonder dit vooraf kenbaar te maken.

DK

**PRODUCENTENS BÆGRÆNSEDE GARANTI**

Under forudsætning af at legeredskabet er anvendt på normal vis, yder Jungle Gym® den oprindelige køber 30 dage garanti fra købstidspunktet på delene i Jungle Gym® samlesættet og ud fra følgende betingelser:

- Defekterne skyldes fejl eller mangler i materialer eller udførelse.
- Anvisningerne i denne byggevejledning er fulgt nøje.
- Produkterne er udelukkende anvendt til konstruktion til privat brug.

**Den begrænsede garanti dækker ikke:**

- Arbejde eller arbejdsomkostninger i forbindelse med udskiftningen af den defekte del.
- Tilfældige skader eller følgeskader.
- Dele beskudiget som følge af hærværk, forkert brug, forkert konstruktion eller andre usædvanlige omstændigheder.
- Ændringer udført i dele og tilbehør.
- Jungle Gym® produkter til kommercielt brug.

**Fremgangsmåde:**

- Kontakt den oprindelige sælger og hør nærmere.

**Kundeansvar:**

- Det er ansvar at udføre regelmæssigt eftersyn og vedligeholdelse for at sikre, at produktet ikke ældes for tidligt. Eftersyn og vedligeholdelse.
- Kunden skal tage alle forholdsregler for at sikre børnenes sikkerhed.

**PRODUKTANSVAR**

- Jungle Gym® produkter er designet til brug i private haver, ikke offentligt område. Jungle Gym® er derfor ikke ansvarlig for skader som følge af brug på offentligt område eller offentlige legepladser.
- Jungle Gym® er under ingen omstændigheder ansvarlig for direkte eller indirekte efterfølgende skader som følge af forkert brug.
- Jungle Gym® samlede ansvar med hensyn til en enkelt begivenhed eller en serie af begivenheder, hvad enten det skyldes skodelshed, misligholdelse, vildledning eller på anden vis, kan under ingen omstændigheder overstige prisen for det defekte, beskadigede eller ikke-leverede produkt fastsat som netto-faktura prisen.

Jungle Gym® forbeholder sig ret til at ændre materiale og design uden forudgående meddelelse.

N

**PRODUSENTENS BEGRÆSENDE GARANTI**

I henhold til anbefalt bruk, garanterer Jungle Gym originaldelene i settet i 30 dager etter kjøp. Garantien forutsetter at:

- mangelen er i henhold til produktets egenskap og intensjon, ref. kvalitets-, eller produksjonsfeil.
- instruksjonsmanualen har vært nøyte gjennomgått.
- Produktet kun er benyttet i henhold til intensjon og bruksområde (enkelthusholdning).

**Garantien dekker ikke:**

- ekstrakostnader i forbindelse med utbedring eller bytte av deler og tilbehør.
- Skader påført pga. uhell, uforsiktig bruk eller lignende
- Skader grunnet hærværk, uhensiktsmessig bruk, feilmontering, eller annen uhensiktsmessig bruk.
- Endringer gjort på apparat eller tilbehør som ikke er i henhold til monteringsanvisning.
- Jungle Gym produkter brukt i andre enn private enkelthusholdninger

**Fremgangsmåte ved bruk av garanti:**

- Henvendelse til utsalg hvor varen er kjøpt.

**Kundens ansvar:**

- Det er kundens ansvar å foreta regelmessige inspeksjoner og vedlikehold, for å forsikre seg om at produktet ikke kvalitetsforringes.
- Disse inspeksjonene og vedlikeholdet er beskrevet i denne manualen.
- Kunden må ta alle forhånsregler for å forsikre seg om at barna leker trygt.

**PRODUKTETS PÅLTELIGHET**

- Jungle Gym produkter er designet for bruk i private hager. Ikke i offentlige omgivelser. Jungle Gym er derfor ikke ansvarlige for skader som resultat av bruk på offentlige steder, eller offentlige lekepladser.
- Jungle Gym skal ikke under noen omstendigheter være ansvarlige for noen form for skader påført ved bruk av apparatene.
- Jungle Gym er ikke ansvarlige for enkelttilfeller eller gjentatte tilfeller av skader, som resultat av uansvarlighet, brudd på sikkerhetsangivelsene. Kostnadene ved eventuell reklamasjon kan ikke være større enn kjøpsbeløpet (netto eks. mva). Eventuell bruk av garantien omfatter kun Jungle Gym artikler, og ikke tilbehør som for eksempel treviker m.m.

Jungle Gym forbeholder seg retten til å endre materialer, og design, uten å informere på forhånd.